

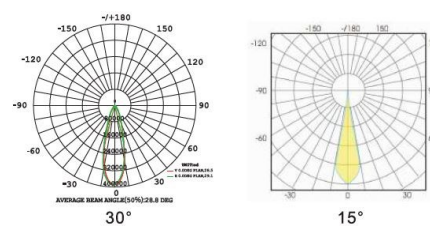
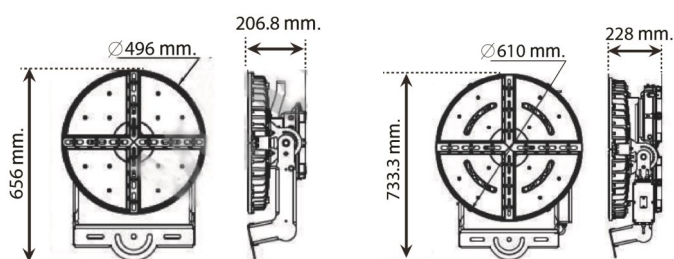
HIGH MAST LIGHT



SERIES KHM ROUND 300-1200W

- ◆ NEW DESIGN OR REPLACE OLD LAMP TO SAVING ENERGY AND LONG DURATION TIMES
- ◆ WITH MANY COLOR TO MAKE GOOD ATMOSPHERE
- ◆ HAVE WHITE OR MULTI-LIGHT THAT APPROPRIATE

300W -1200W



Parameter	Value							
Model	KHM300WR	KHM400WR	KHM500WR	KHM600WR	KHM700WR	KHM800WR	KHM1000WR	KHM1200WR
Rate Power	300W	400W	500W	600W	700W	800W	1000W	1200W
Luminous Flux	>36,000lm	>48,000lm	>60,000lm	>72,000lm	>84,000lm	>96,000lm	>120,000lm	>186,000lm
Luminous Efficiency	120lm/w @ 15° 160lm/w @ 30°			120lm/w @ 15° 155lm/w @ 30°			155lm/w @ 30°	
Color Temperature	CCT 3000K/4000K/5700K							
Color Rendering Index	>80 Ra							
Input Voltage	AC 100-277 VAC , 50/60Hz , 277-480V , 50/60Hz							
Power factor	> 0.95							
Beam Angle	15°/ 30°							
Work Temperature	-40°C to +85°C							
Work Life	>50,000 Hours							
Heat sink	Aluminum							
IP Rating	IP65							
Net Weight	20.5 kg				32.7 kg			
Dimensions	656*496*206.8 mm				733.3*610*228 mm			

HIGH MAST LIGHT



Project Picture



P 1 Standard Bracket



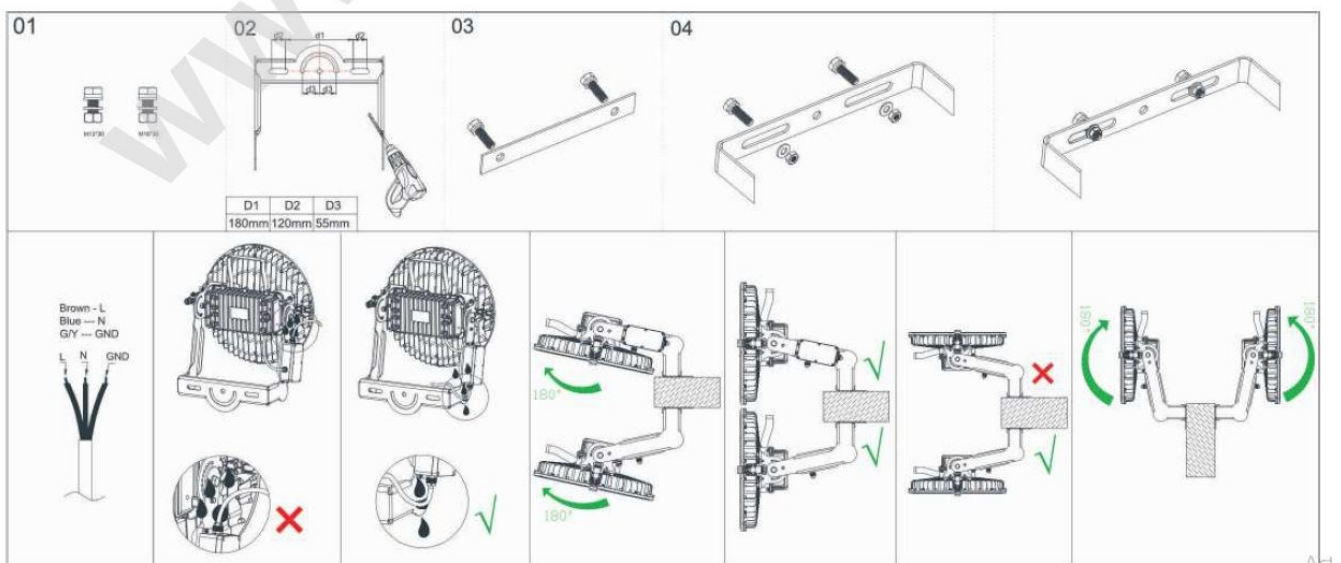
Lens is 30° or 15°



Anti - glare Lighting cover



Installation and use



Act